

FC40R and FC20R Return Grille Filter

SPECIFICATION DATA



- **Low pressure drop reduces strain on equipment, provides a comfortable air flow, and maintains equipment efficiency longer than standard filters.**

SPECIFICATIONS

IMPORTANT

The specifications in this publication do not include normal manufacturing tolerances; therefore, this unit may not exactly match the listed specifications. Also, this product is tested and calibrated under closely controlled conditions, and some minor differences in performance can be expected if those conditions are changed.

Efficiency:

(Efficiency Ratings Based on ASHRAE Standard 52.2-1999.)
FC40R Minimum Efficiency Reporting Value (MERV): 10 at 295 fpm.

Initial Efficiency: 31% (0.3-1.0 micron particles).

Initial Efficiency: 86% (3.0-10.0 micron particles).

FC20R Minimum Efficiency Reporting Value (MERV): 8 at 295 fpm.

Initial Efficiency: 18% (0.3-1.0 micron particles).

Initial Efficiency: 75% (3.0-10.0 micron particles).

Initial Pressure Drop:

FC40R: 0.12 in. wc at 2 cfm per sq. in.

FC20R: 0.18 in. wc at 2 cfm per sq. in.

Temperature Rating: -40° to 140°F (-40° to 60°C).

Approvals: Underwriters Laboratories, Inc.: Listed to UL900, Class 2.

Accessories: W8600A AIRWATCH® Indicator (optional).

Replacement Schedule:

Replace FC40R every 12 months or and FC20R every 6 monthsmore often if filter appears dirty enough to block airflow through heating/cooling system.

Typical Installations:

Installs easily in most brands of return filter grilles. See Fig. 1 for typical installation.

Dimensions: See Fig. 2 and Table 1.

APPLICATION

The Return Grille Filter is a high-efficiency, long-life replacement for return grille applications. It captures a significant amount of the airborne particles in the air that circulate through the filter.

(Honeywell recommends allowing a depth of four to seven inches behind the grille to provide space for the deeper filter and airflow through the filter.)

FEATURES

- **Mounts in most third-party return filter grilles.**
- **Provides high-efficiency alternative to one-inch filter.**
- **Captures particles as small as 0.3 micron.**
- **Pleated filter for greater media capacity.**
- **Easy installation. Pre-assembled filter easily inserts into and out of existing return grille.**
- **Exclusive frame design nests properly into place.**



FC40R AND FC20R RETURN GRILLE FILTER

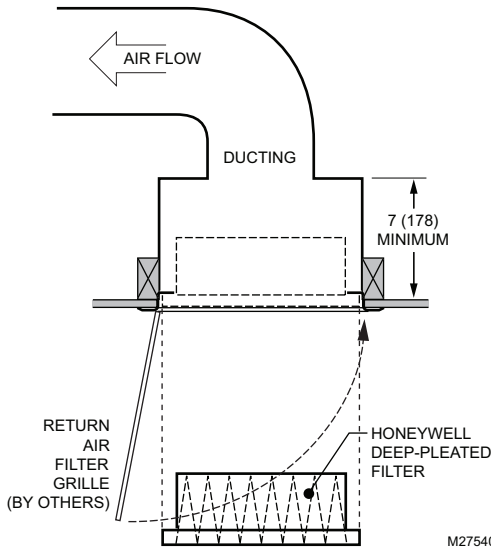


Fig. 1. Typical ceiling installation.

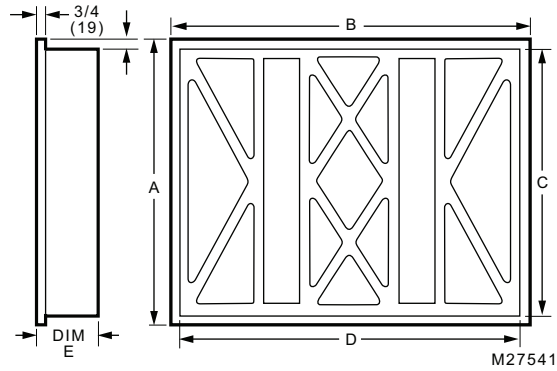


Fig. 2. Dimensions in in. (mm) (see Table 1).

Table 1. FC40R Dimensions (See Fig. 2).

Model Number	Nominal Dimensions in in. (mm)	Dim A in in. (mm)	Dim B in in. (mm)	Dim C in in. (mm)	Dim D in in. (mm)	Dim E in in. (mm)
FC40R1003	20 X 20 (508 x 508)	19-3/4 (502)	19-3/4 (502)	18-1/2 (470)	18-1/2 (470)	4-3/8 (111)
FC40R1011	20 X 25 (508 x 635)	19-3/4 (502)	24-3/4 (629)	18-1/2 (470)	23-1/2 (597)	4-3/8 (111)
FC40R1029	20 X 30 (508 x 762)	19-3/4 (502)	29-3/4 (756)	18-1/2 (470)	28-1/2 (724)	4-3/8 (111)
FC40R1037	12 X 24 (305 X 610)	11-3/4 (298)	23-3/4 (603)	10-1/2 (266)	22-1/2 (571)	4-3/8 (111)
FC40R1045	14 X 25 (356 X 635)	13-3/4 (349)	24-3/4 (629)	12-1/2 (317)	23-1/2 (596)	4-3/8 (111)
FC40R1052	16 X 20 (406 X 508)	15-3/4 (400)	19-3/4 (502)	14-1/2 (368)	18-1/2 (470)	4-3/8 (111)
FC40R1060	16 X 25 (406 X 635)	15-3/4 (400)	24-3/4 (629)	14-1/2 (368)	23-1/2 (596)	4-3/8 (111)
FC40R1078	24 X 24 (610 X 610)	23-3/4 (603)	23-3/4 (603)	22-1/2 (571)	22-1/2 (571)	4-3/8 (111)
FC40R1094	12 X 12 (305 X 305)	11-3/4 (298)	11-3/4 (298)	10-1/2 (266)	10-1/2 (266)	4-3/8 (111)
FC40R1102	14 X 14 (356 X 356)	13-3/4 (349)	13-3/4 (349)	12-1/2 (317)	12-1/2 (317)	4-3/8 (111)
FC40R1110	14 X 20 (356 X 508)	13-3/4 (349)	19-3/4 (502)	10-1/2 (266)	18-1/2 (470)	4-3/8 (111)
FC40R1128	14 X 24 (356 x 610)	13-3/4 (349)	23-3/4 (603)	12-1/2 (317)	22-1/2 (571)	4-3/8 (111)
FC40R1136	18 X 24 (457 x 610)	17-3/4 (451)	23-3/4 (603)	16-1/2 (419)	22-1/2 (571)	4-3/8 (111)
FC40R1144	20 X 24 (508 x 610)	19-3/4 (502)	23-3/4 (603)	18-1/2 (470)	22-1/2 (571)	4-3/8 (111)
FC40R1169	14 X 30 (356 X 762)	13-3/4 (349)	29-3/4 (756)	12-1/2 (317)	28-1/2 (724)	4-3/8 (111)
FC40R1177	24 X 30 (610 X 762)	23-3/4 (603)	29-3/4 (756)	22-1/2 (571)	28-1/2 (724)	4-3/8 (111)
FC40R1185	18 X 18 (457 X 457)	17-3/4 (451)	17-3/4 (451)	16-1/2 (419)	16-1/2 (419)	4-3/8 (111)
FC40R1830	18 X 30 (457 X 762)	17-3/4 (451)	29-3/4 (756)	16-1/2 (419)	28-1/2 (724)	4-3/8 (111)
FC20R1625	16 X 25 (406 X 635)	15-3/4 (400)	24-3/4 (629)	14-1/2 (368)	23-1/2 (596)	2 (508)
FC20R2020	20 X 20 (508 x 508)	19-3/4 (502)	19-3/4 (502)	18-1/2 (470)	18-1/2 (470)	2 (508)
FC20R2025	20 X 25 (508 x 635)	19-3/4 (502)	24-3/4 (629)	18-1/2 (470)	23-1/2 (597)	2 (508)
FC20R2030	20 X 30 (508 x 762)	19-3/4 (502)	29-3/4 (756)	18-1/2 (470)	28-1/2 (724)	2 (508)

Automation and Control Solutions

Honeywell International Inc.
1985 Douglas Drive North
Golden Valley, MN 55422
customer.honeywell.com

Honeywell Limited-Honeywell Limitée
35 Dynamic Drive
Toronto, Ontario M1V 4Z9

© U.S. Registered Trademark
© 2008 Honeywell International Inc.
68-3062—06 M.S. Rev. 06-08

Printed in U.S.A. on recycled paper containing at least 10% post-consumer paper fibers.

Honeywell