



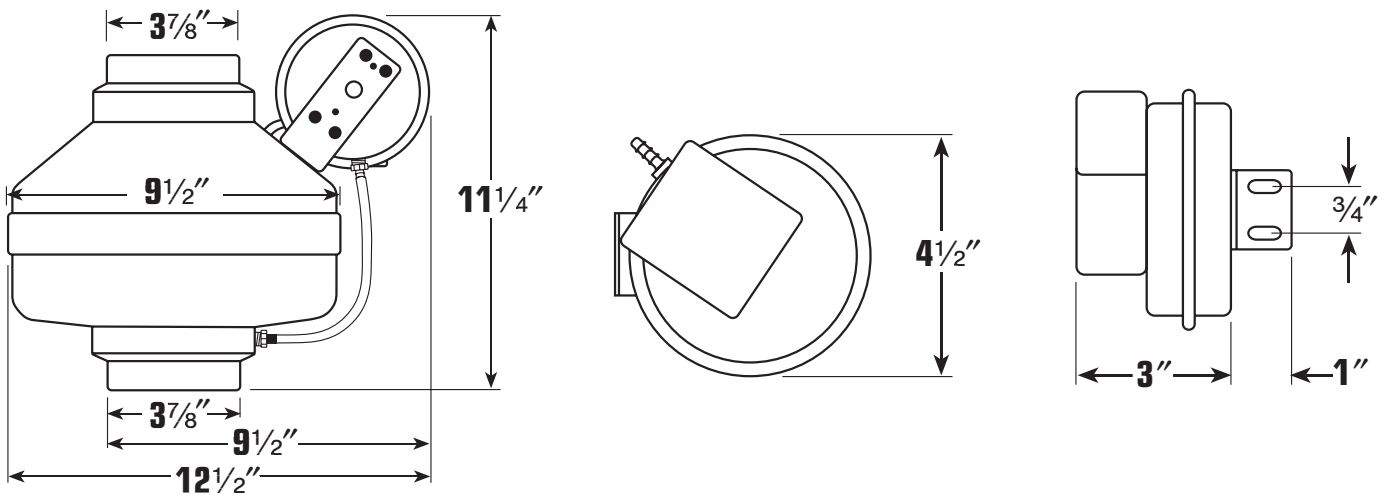
# SUBMITTAL DATA

## DBF 110 Dryer Exhaust Booster

Model	Avg Wt. (lbs)
DBF 110	7

### STANDARD FEATURES

- ABS-PC blend thermo plastic housing
- Permanently lubricated sealed ball bearings
- Self-cleaning backward curved impeller
- Automatic reset thermal overload protection
- Five-year factory warranty



Fan Specifications							Motor Specifications				
Line	Qty	Model No.	Tag	CFM	SP	Fan RPM	Watts	Volts	Phase	Hertz	Encl
1											
2											
3											
4											
5											

Accessory Items	1	2	3	4	5	Accessory Items	1	2	3	4	5
<input type="checkbox"/>						<input type="checkbox"/>					
<input type="checkbox"/>						<input type="checkbox"/>					
<input type="checkbox"/>						<input type="checkbox"/>					
<input type="checkbox"/>						<input type="checkbox"/>					
<input type="checkbox"/>						<input type="checkbox"/>					

Project: \_\_\_\_\_ Submitted: \_\_\_\_\_  
 Customer: \_\_\_\_\_ Approved: \_\_\_\_\_  
 Location: \_\_\_\_\_

